



CBOT

## Self-Service Kiosk

[www.rdtoffice.ro](http://www.rdtoffice.ro)







## Great for:

- Internet cafes
- Libraries
- Supermarkets
- Hotels
- Newagents
- Universities
- Administrations
- Offices





# A KIOSK TO PAY PRINT, COPY AND SCAN

The **cBot** is an autonomous kiosk solution to pay in self-service print, copy, and scan. It is simple to use and compatible with almost all Multi-Function Printers

## PAY PER USE



Guests don't need to create an account, to use copy, print USB and scan services.

## PROVIDE CHANGE



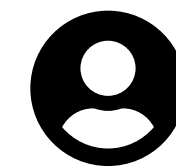
Give users change from a self recharge coin module. Overflow coins drop to a secure lock box.

## ACCEPT BANK CARDS



cBot works with Nayax, bank card terminal. An easy solution to set up and manage your account.

## CREATE ACCOUNT AND ADD CREDIT



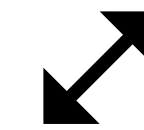
cBot can create a user account and add credit. It works with Gespage.

## MOBILE PRINTING



With user account, the users can print directly from their own mobile, tablet or PC through an application or web interface.

## SCALL AND ESY TO INSTALL



Thanks to its small size, (H : 910mm W: 325mm) cBot is easy to install and to use.

# cBot advantages

The CM4000 has programming keys allowing the selling prices of the copy formats to be set, and possibly decreasing tariffs.

Options :

- Coin changer
- Note acceptor (stacker)
- Bank card terminal (Nayax)
- Receipt printer
- Barcode reader
- Contactless card reader

## Specifications

### Dimensions

↕ Height 910mm

↔ Width 325mm

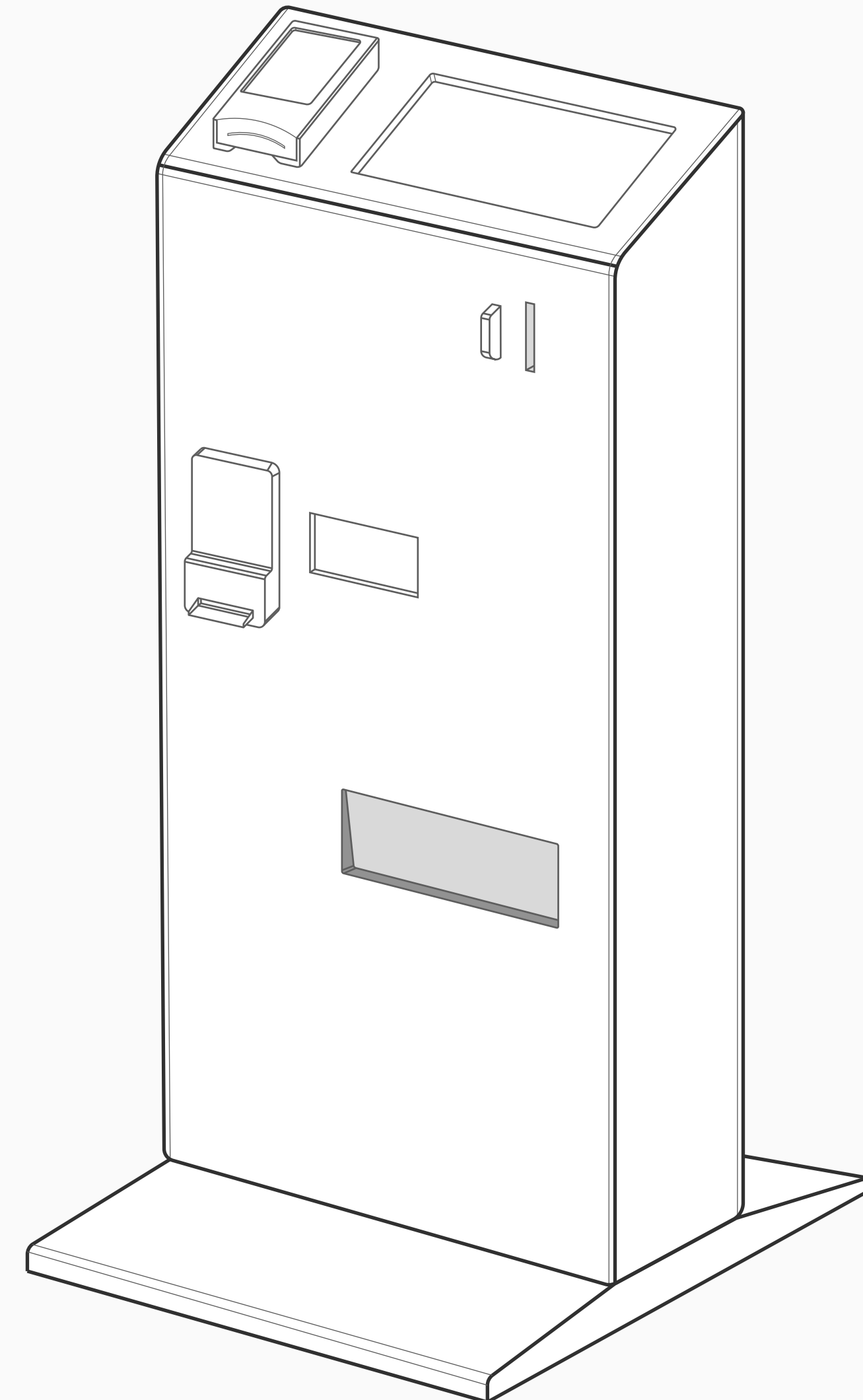
↗ Depth 400mm

### Weight

↓ 25kg

### Included

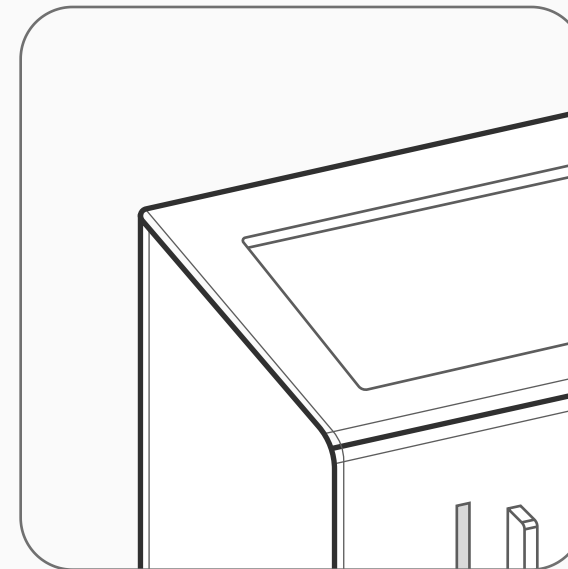
- Coin mechanism
- Banknote reader
- Network: ethernet (DHCP or Static IP)
- Supported system: Gespage (native)



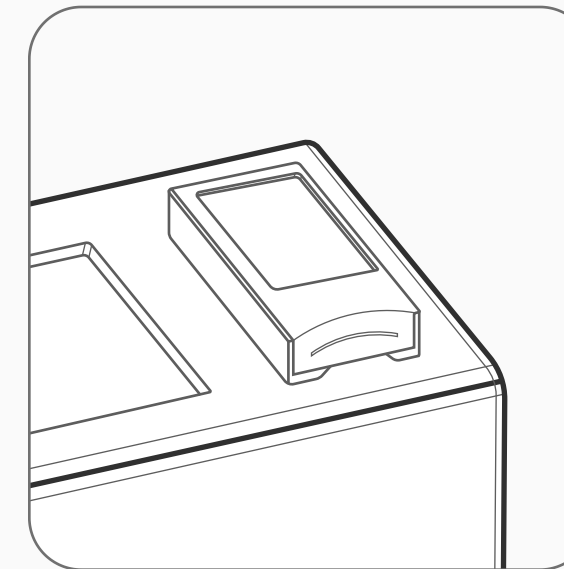
# Features

- Warning message for door opening
- Reports of cash collection
- Makes use of Gespage print management software.
- Mobile printing possible with account

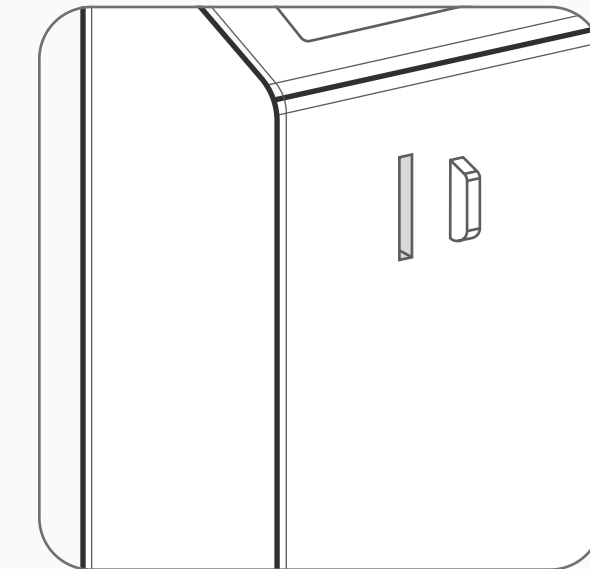
Connect with almost any copier



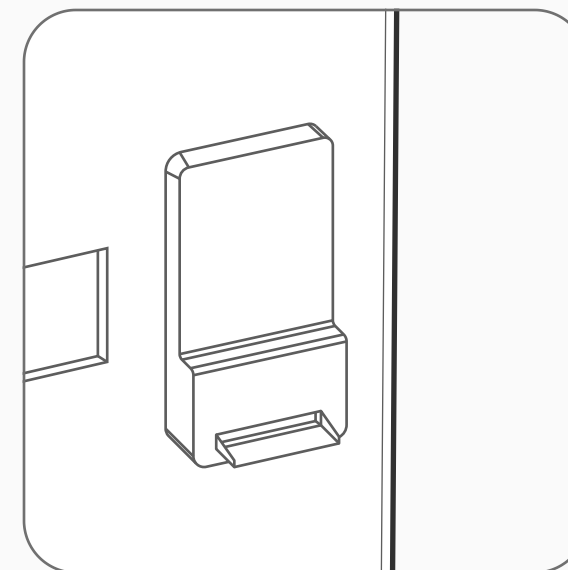
Credit card terminal



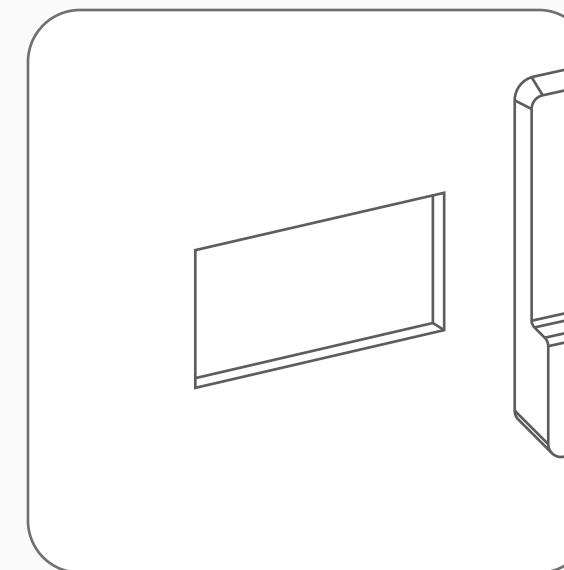
Coin insertion



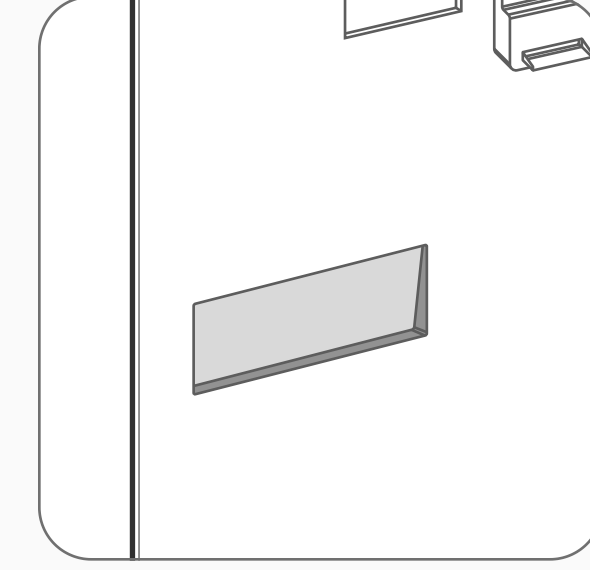
Notes



Barcode reader



Change & receipts



# cBot

The CBOT allows users to self-service and pay for their print, scan and copy jobs. Payment is made with coins, banknotes, credit card or the balance of a Gespage account.

## 3850€

- Plată cu fise si bancnote
- Copiere, print si scan usb, print by email

### CONTACT

T: (+40) 254 233

M: [contact@rdtooffice.ro](mailto:contact@rdtooffice.ro)

W: [www.rdtooffice.ro](http://www.rdtooffice.ro)

